

ZERO[®] HOOP
PENDANT



ZERO®

HOOP

PENDANT



ZERO[®] HOOP
PENDANT



ZERO[®] HOOP

PENDANT

Utförande

Lackerad metall. Vit RAL 9010, svart RAL 9005, blå RAL 5002 eller orange RAL 2004 som standard, andra färger på förfrågan. Inre kupa av matt opalglas.

LED info

LED - Systemeffekt 18W. Armaturlumen 1715LM. Korrelerad färgtemperatur 3000K. Färgtolerans SDCM 3. Färgåtergivning >RA 80.

Montage

8423, 8425, 8427 - Med kopplingslåda monterad i tak. Pendlas i vajer.
8424, 8426, 8428 - I takkrok, pendlad i vajer. Inklusive takkopp.

Anslutning

8423, 8425, 8427 - Snabbkopplingsplint 5x4mm².
8424, 8426, 8428 - Takkontakt alt. kopplingsplint 3x2,5mm².

Design

Small - Front 2018. Large & Drop - Front 2023.



Finish

Painted metal. White RAL 9010, black RAL 9005 or blue RAL 5002 or orange RAL 2004. Diffuser in matt opal glass. Other colours on request.

LED info

LED - System power 18W. Luminaire Luminous Flux 1715LM. CCT 3000K. SDCM 3. CRI >80.

Installation

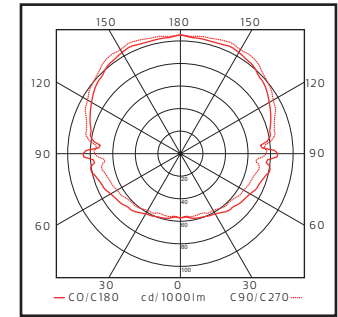
8423, 8425, 8427 - With white painted ceiling box. Wire pendant.
8424, 8426, 8428 - In ceiling-hook. Wire pendant. Including ceiling cup.

Connection

8423, 8425, 8427 - Snap-in terminal block 5x4mm².
8424, 8426, 8428 - Terminal block 3x2,5mm².

Design

Small - Front 2018. Large & Drop - Front 2023.



ZERO[®] HOOP
PENDANT



PRODUCT SPECIFICATION

POWER	LUMINAIRE FLUX	KELVIN	CRI	MODEL		Color	ART.
18W	1715LM	3000K	>80	Small	On/Off	White	8425301
18W	1715LM	3000K	>80	Small	DALI	White	8425301HFF
18W	1715LM	3000K	>80	Small	On/Off	Black	8425306
18W	1715LM	3000K	>80	Small	DALI	Black	8425306HFF
18W	1715LM	3000K	>80	Small	On/Off	Blue	8425308
18W	1715LM	3000K	>80	Small	DALI	Blue	8425308HFF
18W	1715LM	3000K	>80	Small	On/Off	Orange	8425341
18W	1715LM	3000K	>80	Small	DALI	Orange	8425341HFF
E27	-	-	-	Small		White	8426301
E27	-	-	-	Small		Black	8426306
E27	-	-	-	Small		Blue	8426308
E27	-	-	-	Small		Orange	8426341
18W	1715LM	3000K	>80	Large	On/Off	White	8427301-30
18W	1715LM	3000K	>80	Large	DALI	White	8427301D30
18W	1715LM	3000K	>80	Large	On/Off	Black	8427306-30
18W	1715LM	3000K	>80	Large	DALI	Black	8427306D30
18W	1715LM	3000K	>80	Large	On/Off	Blue	8427308-30
18W	1715LM	3000K	>80	Large	DALI	Blue	8427308D30
18W	1715LM	3000K	>80	Large	On/Off	Orange	8427341-30
18W	1715LM	3000K	>80	Large	DALI	Orange	8427341D30
E27	-	-	-	Large		White	8428301
E27	-	-	-	Large		Black	8428306
E27	-	-	-	Large		Blue	8428308
E27	-	-	-	Large		Orange	8428341

D, HFF = Dimable with DALI or SwitchDim.

Product specification continues on the next page -

ZERO[®] HOOP
PENDANT

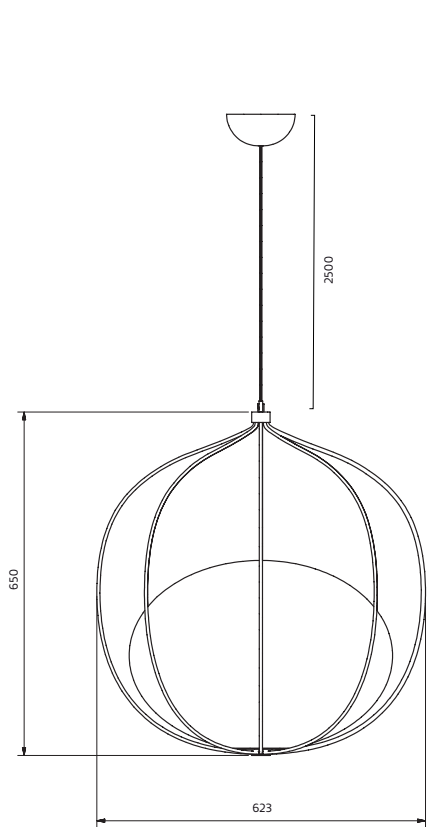


PRODUCT SPECIFICATION

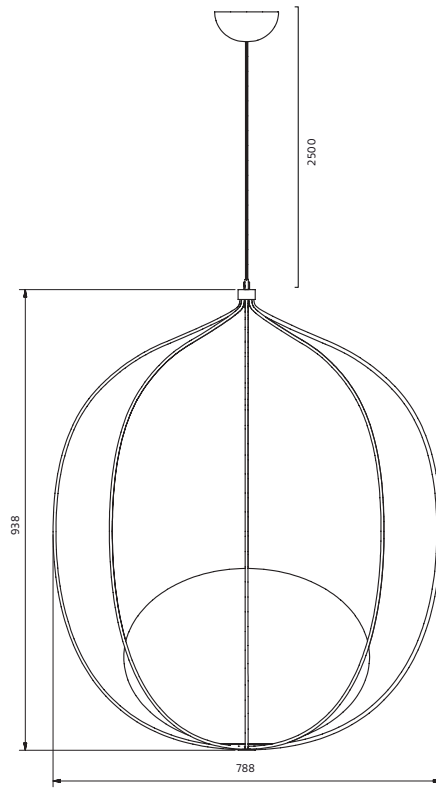
POWER	LUMINAIRE FLUX	KELVIN	CRI	MODEL		Color	ART.
18W	1715LM	3000K	>80	Drop	On/Off	White	8423301-30
18W	1715LM	3000K	>80	Drop	DALI	White	8423301D30
18W	1715LM	3000K	>80	Drop	On/Off	Black	8423306-30
18W	1715LM	3000K	>80	Drop	DALI	Black	8423306D30
18W	1715LM	3000K	>80	Drop	On/Off	Blue	8423308-30
18W	1715LM	3000K	>80	Drop	DALI	Blue	8423308D30
18W	1715LM	3000K	>80	Drop	On/Off	Orange	8423341-30
18W	1715LM	3000K	>80	Drop	DALI	Orange	8423341D30
E27	-	-	-	Drop		White	8424301
E27	-	-	-	Drop		Black	8424306
E27	-	-	-	Drop		Blue	8424308
E27	-	-	-	Drop		Orange	8424341

D = Dimable with DALI or SwitchDim.

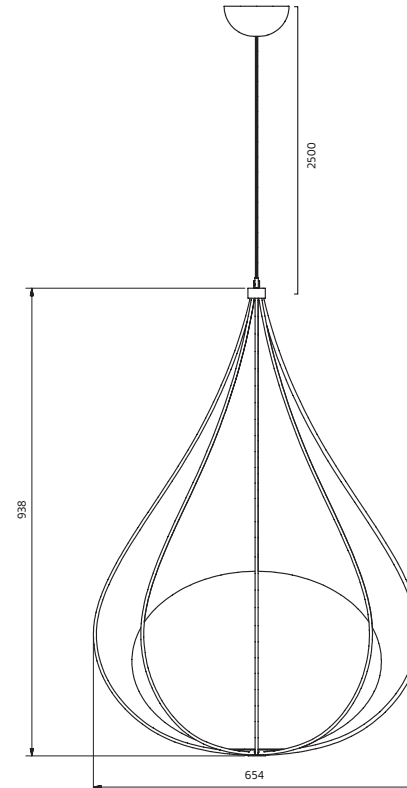
ZERO[®] HOOP
PENDANT



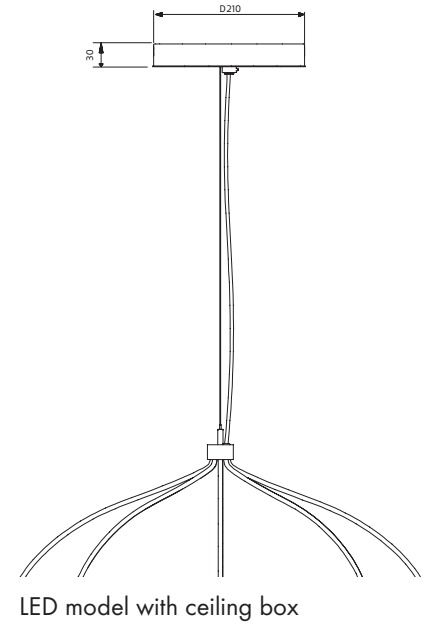
SMALL - E27 version



LARGE - E27 version



DROP - E27 version



LED model with ceiling box

ZERO HOOP
PENDANT



ZERO[®] HOOP
PENDANT



ZERO[®] HOOP
PENDANT



FRONT DESIGN

Sofia Lagerkvist och Anna Lindgren utgör den svenska designgruppen Front.

Deras verk baseras på gemensamma diskussioner, utforskningar och experiment och de är inblandade i projekten från idéskiss till slutprodukt.

Fronts designobjekt kommunicerar ofta en historia till observatören om designprocessen, materialet produkten är tillverkad av, och/eller om konventioner inom designområdet. I sitt arbete har de tilldelat en del av designen till djuren, datorerna eller maskinerna.

De har gjort en ständigt föränderligt interiör, skapat föremål med explosioner, robotmöbler och en rad möbler inspirerade av deras fascination med magi.

Photo: Toni Meneguzzo

Sofia Lagerkvist and Anna Lindgren are the members of the Swedish design group Front. Their works are based on common discussions, explorations and experiments and they are all involved in the projects from initial ideas to the final product.

Front's design objects often communicate a story to the observer about the design process, about the material it is made of or about conventions within the design field. In their work they have assigned part of the making of design to animals, computers or machines.

They have made a constantly changing interior, created objects with explosions, robotic furniture and a range of furniture inspired by their fascination with magic.

ZERO[®] HOOP
PENDANT



data bytes

ZERO[®]

HOOP
PENDANT



Head office:
Friluftsvägen 2,
SE-382 34 Nybro, Sweden
+46(0)481 800 00
info@zero.se

Showroom Stockholm:
Södermalmsallén 36,
SE-118 28 Stockholm, Sweden
+46(0)8-545 850 00
info@zero.se